



**DMD**  
COLLECTIVE

DMDSC1

---

# SpotPro Spot Vacuum Cleaner

---

Information for use

Thank you for purchasing this SpotPro Spot Vacuum Cleaner from DMD Collective. This Spot Vacuum Cleaner is designed to remove everyday carpet spills and stains.

It is ideal for households with pets or children; you can keep any accidents separate from day-to-day cleaning with this Spot Cleaner.

Easily tackle spills and stains with this powerful tool. Spray water and brush the stain to extract all the dirty water. Use fabric detergent for stubborn stains, and choose a smaller or bigger brush to suit the task at hand.

Before using this Spot Cleaner, please read through all the information in this document and keep it for future reference.

## Health and Safety Guidelines

- Always unplug the unit when not in use, before cleaning, or when adding or removing parts. Please read the instructions carefully before using any appliance.
- Always ensure that the voltage on the rating label corresponds to the mains voltage in your home.
- Incorrect operation and use can damage the appliance and cause injury to the user.
- The appliance is intended for household use only. Commercial use invalidates the warranty, and the supplier cannot be held responsible for injury or damage caused when using the appliance for any other purpose than that intended.
- Do not let children use this appliance unsupervised.
- Check the power cord and plug regularly for any damage. To prevent an electrical hazard, the manufacturer will need to replace the cord or plug if it is damaged.
- Do not use the appliance if it has been dropped or damaged in any way. If the unit is damaged, take it in for examination and/or repair by an authorized service agent.
- To reduce the risk of electric shock, do not immerse or expose the motor assembly, plug, or power cord to water or any other liquid.
- Never immerse the unit in water or any other liquid for cleaning purposes. Do not reach for an appliance that has fallen into the water. Unplug immediately.
- Remove the plug from the socket by gripping the plug. Do not pull on the cord to disconnect the appliance from the mains.
- Injury, fire, or electric shock could result from the use of accessory attachments that the manufacturer has not approved or supplied.
- A short cord is provided to reduce the hazards resulting from becoming entangled in or tripping over a longer cord.
- Do not let the cord hang over the edge of a table or counter.
- Ensure that the cord is not in a position where it can be pulled inadvertently.
- Do not allow the cord to touch hot surfaces, and do not place it on or near a hot gas or electric burner or in a heated oven. Do not place the unit on a hot surface.
- This appliance is not suitable for outdoor use. Do not use this appliance for anything other than its intended purpose.
- Do NOT carry the unit by the power cord.
- Do not leave this appliance unattended during use. An appliance should never be left unattended when plugged in.
- The manufacturer does not accept responsibility for any damage or injury caused by improper or incorrect use or for repairs carried out by unauthorised personnel.
- In the event of technical problems, switch off the appliance and do not attempt to repair it yourself. Return the appliance to an authorised service facility for examination, adjustment, or repair.
- Always insist on the use of original spare parts. Failure to comply with the above-mentioned precautions and instructions will affect the safe operation of this machine.

## **WARNING Notice before use:**

- Use water under 40°C to remove dirt from the unit.
- Do not use it to clean arts and crafts, fibers or items not suitable for cleaning by water, and surfaces that are easy to damage (like floors, tables, etc.).
- Do not slant the machine with water in the tank so as to avoid wetting the floor.
- Stop the machine and empty the dirty water tank if it reaches the full line.
- Make sure the detergent used is safe for your washed items.
- The machine may stop when cleaning long-haired carpet, as it can easily block the air outlet. Stop the machine if a large quantity of foam or dirty water comes out, and empty the dirty water tank before using it again.
- Do not use foam detergent.
- Please make sure the users (including children) are under supervision when they use the machine.
- Do not use liquids like pesticides, hair dyes, or lubricants.
- Do not use the vacuum to pick up any flammable or combustible objects or cigarettes.
- Do not use it to pick up any oil, hot air, or dry dust.
- Do not use it if the hose is broken; avoid bending, stampeding, and violently pulling the hose.
- Do not block the air outlet to avoid influencing heat dissipation.
- Stop using it if there's an unusual noise or smell.
- Do not disassemble, repair, or change the machine's structure by yourself.
- Do not immerse it in water or liquid to avoid a fire or an electric shock hazard.
- Do not use it without a dirty water tank in position.
- If the supply cord is damaged, it must be replaced by the manufacturer, its service agent, or a similarly qualified person in order to avoid a hazard.
- This appliance may be normally used at 50 Hz or 60 Hz; the frequency need not be adjusted.
- Do not use this appliance to absorb detergent, kerosene, gasoline, alcohol, paint, perfume or toner used inside laser printers and copiers etc.

## **Precautions to avoid failures**

- This machine is mainly for wet use; do not use it to pick up large quantities of dust.
- Dry the dirty water tank, clean water tank and inside of the hose if the temperature is extremely low to avoid freezing.
- Take out any foreign matter from the hose when it is blocked before using it again

## **Using the power cord and plug in properly**

- Clean the plug from time to time.
- Make sure the device is securely plugged in.
- Unplug the device if it will not be used for a long time.
- Unplug the machine before maintenance, checking, and moving.
- Do not plug or unplug the machine with wet hands.
- Keep the plug away from kids.
- Do not damage the power cord. Do not pull the plug violently when moving the machine.
- Do not use the machine in the event of a damaged power cord or plug.
- Do not overload the socket.
- Do not use it in case of any failures; cut the power and unplug the machine.

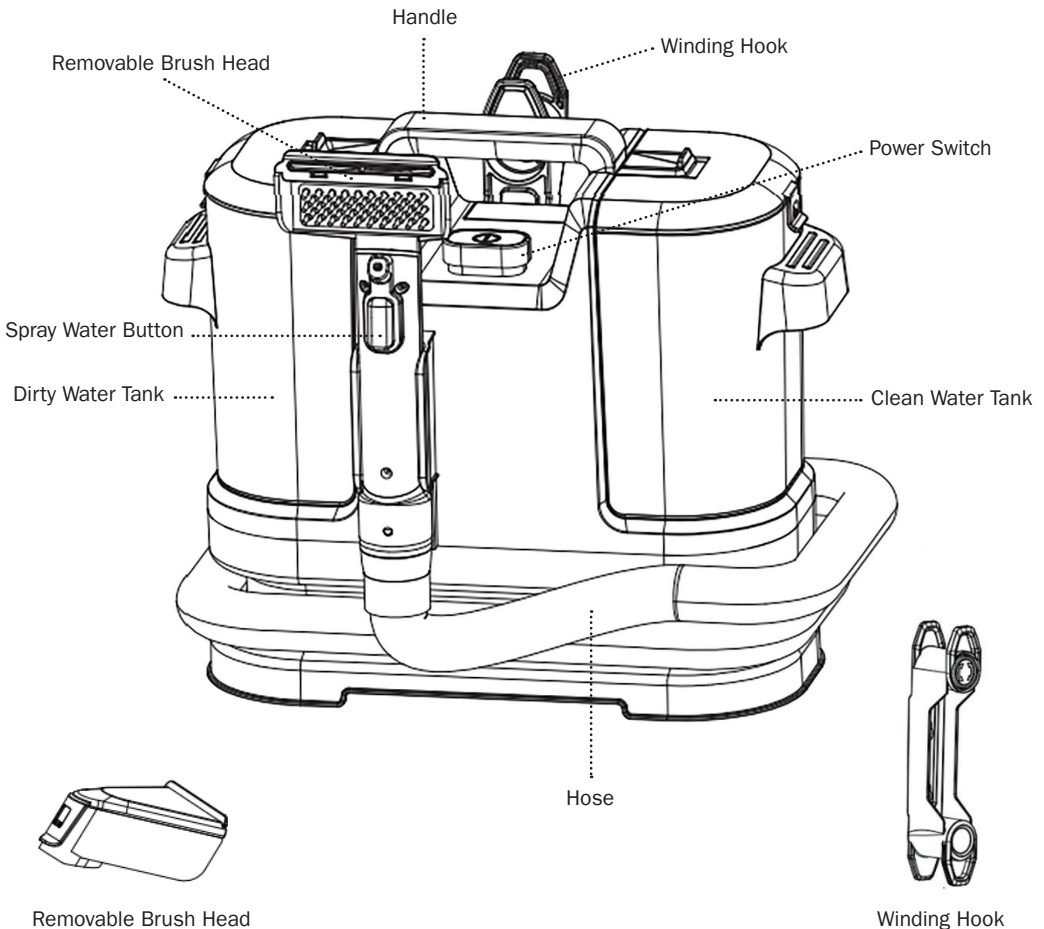
## Do not attempt to pick up:

- Dry dust
- Big quantity of powder
- Big quantity of sand and stones
- Big quantity of rubbish
- Metal matters like needles, pins
- Big polybag and stockings

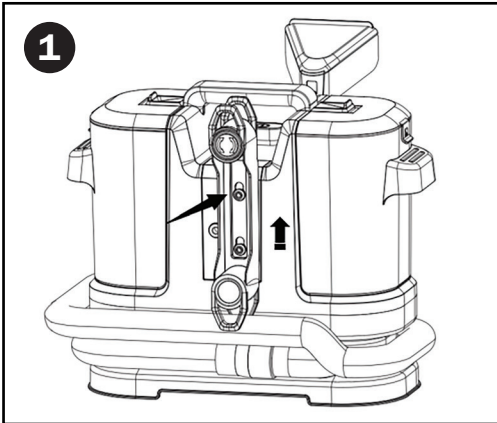
## Caution

- Do not use it for any purpose other than cleaning.
- This machine is for household use only.
- Do not use this close to fire or heating equipment.
- It will stop working if the water-spray mouth is blocked.
- Do not continue to use it when the suction hole is blocked.
- Empty the tanks if anything is blocked before using them again.
- Do not sit on or ride on the machine.

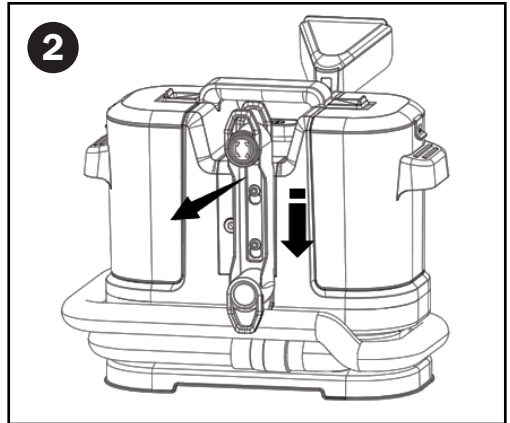
## Product Overview:



## Installation Of Wire Winding Hook:

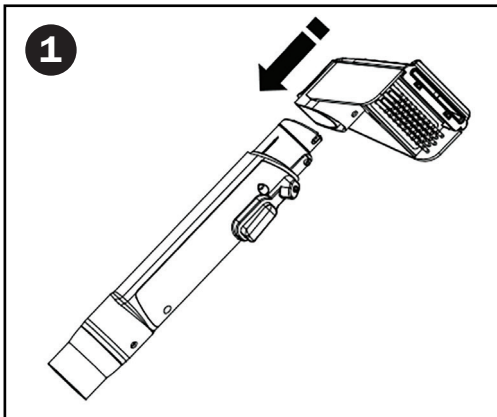


- Insert the winding hook into the cylinder of the machine body and push it downward until you hear a “click!” sound, then the installation is complete.

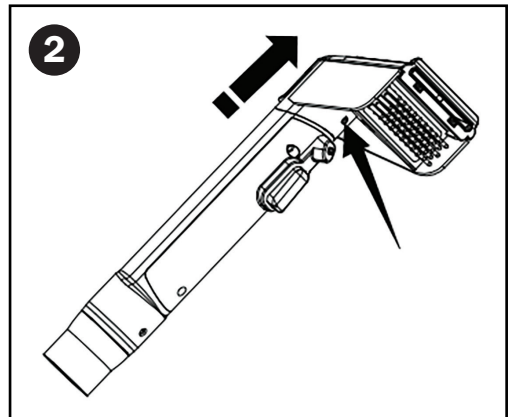


- To disassemble the thread winding hook, simply push it up, unhook it, and remove it.

## Brush Head Assembly:

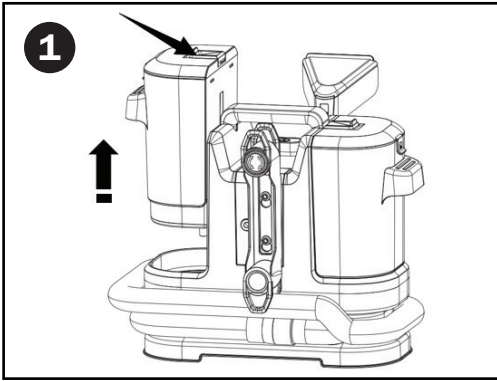


- Insert the brush head into position, and when you hear a “click!” the installation is complete.

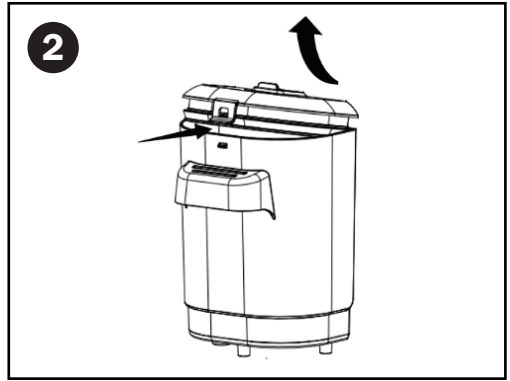


- To remove the brush head press and hold the unlock button. When you feel it is released, pull it out to remove the brush head.

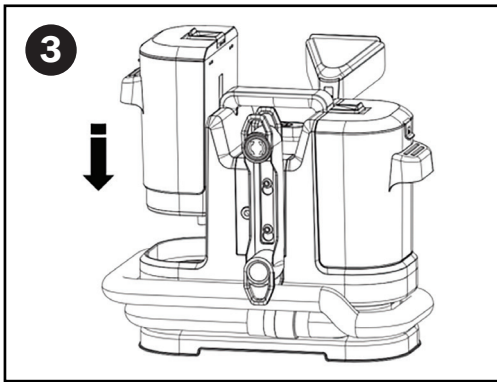
## Add Fresh Water:



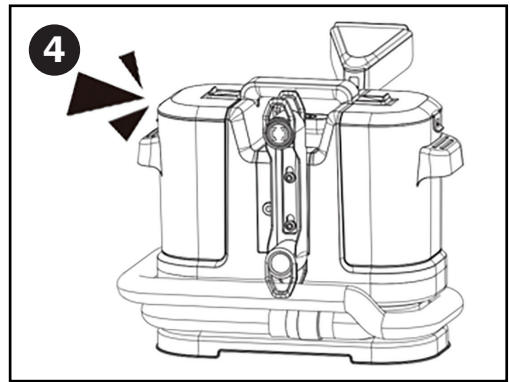
- Slide the water tank slide button and pull out the clean water tank vertically.



- Pull up the latch to open the clean water tank cover. Add the appropriate amount of water. Relock the cover.

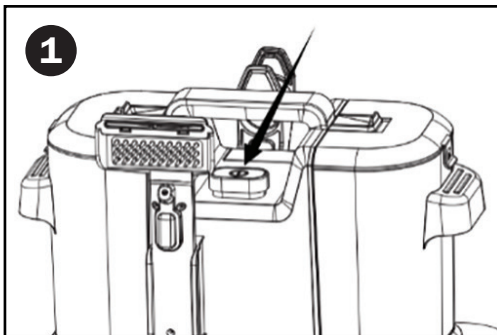


- Reinstall the clean water tank vertically.

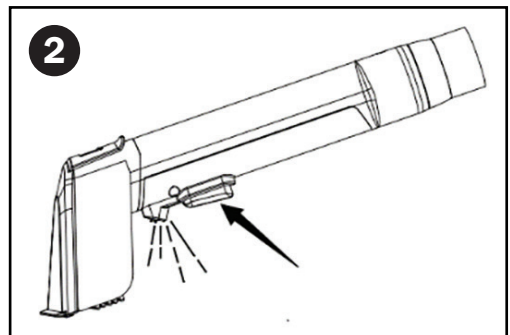


- When you hear a “click”, the installation is complete.

## Daily use and maintenance:

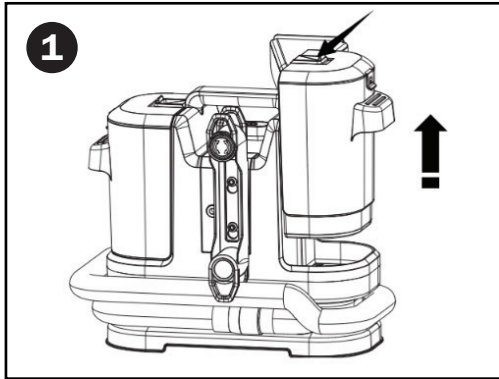


- Plug in the appliance. Uncoil the hose from the machine. Press and hold the power button of the main unit, and the machine will sound.

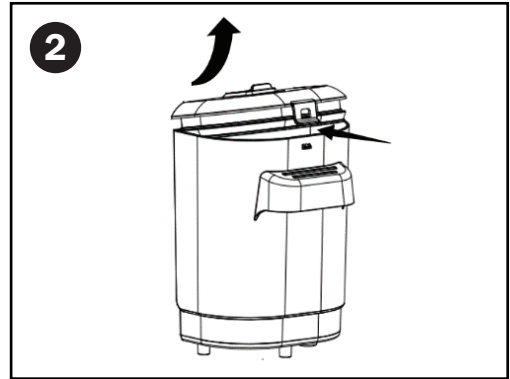


- Press and hold the water spray button to start cleaning.

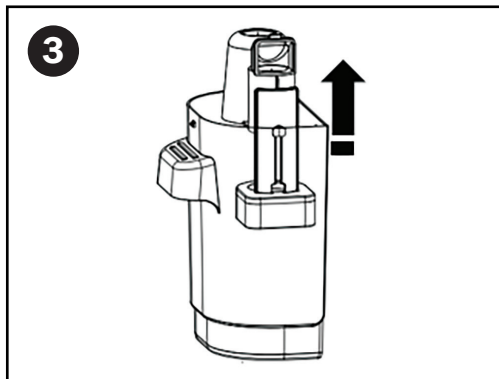
## Cleaning & Maintenance:



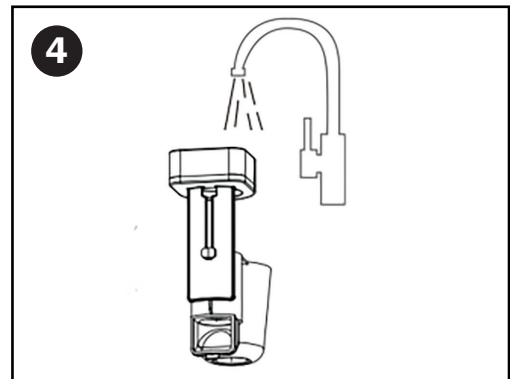
- Unplug the appliance. Slide the outer water tank lock hook and remove the dirty water tank vertically.



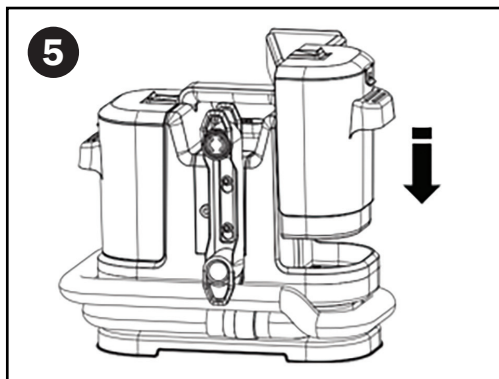
- Unscrew the dirty water tank cover & remove the buoy bracket.



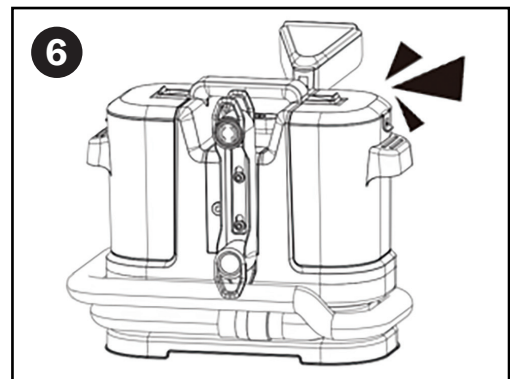
- Remove the buoy bracket & clean the dirty water tank & dry.



- Clean the buoy bracket & dry.



- Reinstall the dirty water tank vertically.



- When you hear a "click", the installation is complete.

# Troubleshooting

Fault	Possible Reasons	What to do
Not working after switching on	<ul style="list-style-type: none"> <li>The plug is not properly plugged in.</li> <li>The cord is damaged.</li> </ul>	Turn it off, securely plug it in, or consult the service agent via hotline.
No water comes out or little water comes out, after pressing the button	<ul style="list-style-type: none"> <li>The spray mouth is blocked.</li> <li>The handle or pump has been damaged.</li> </ul>	Take out the brush, wash the spray mouth, check whether there is water in the clean water tank.
No suction or weak suction power	<ul style="list-style-type: none"> <li>The machine is not on.</li> <li>The dirty water tank is full.</li> <li>The hose is not in the right position.</li> </ul>	Turn the power on. Empty the dirty water tank and try again. Check the hose to make sure it's clear.

# Technical Specifications


<b>Product name</b>	SpotPro Spot Vacuum Cleaner
<b>Supplier code</b>	DMDSC1
<b>Voltage</b>	220-240V, 50/60Hz
<b>Power</b>	500W
<b>Noise</b>	80dB
<b>Capacity of clean water tank/ dirty water tank</b>	1800ml 1300ml
<b>Vacuum</b>	12Kpa

# Technical Support

If you require any technical support for your product within the warranty period, please contact us on [support@dmdcollective.co.uk](mailto:support@dmdcollective.co.uk) and provide the product name and supplier code (see Technical Specifications) along with the technical query and proof of purchase.

# WEEE



The WEEE symbol  on this product means that this unit should be ethically dismantled or recycled to minimise environmental impact. Please check with your local authority for more information.

# IMPORTANT: ADDITIONAL SAFETY INFORMATION

This device is **NOT** intended for use by persons (including children) with reduced physical, sensory or mental capabilities, or lack of experience and knowledge, unless they are supervised or have been given instruction concerning use of the device by a person responsible for their safety.



**Ace Supply Co Ltd.,**  
Suite GA, Marsland House,  
Marsland Road, Sale M33 3AQ

**For Product Support:**  
**E:** [support@dmdcollective.co.uk](mailto:support@dmdcollective.co.uk)  
**T:** +44 (0)161 543 6400

**EU Regd. Address:**  
Ace Supply Co (Europe) Ltd.,  
Dublin 2, D02 A098, ROI

[www.dmdcollective.co.uk](http://www.dmdcollective.co.uk)