



**DMD**  
COLLECTIVE

DMDED1

---

# Hang-n-Dry Electric Clothes Dryer

---

Information for use

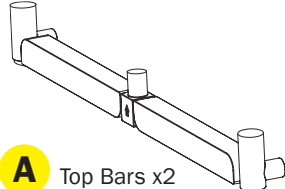
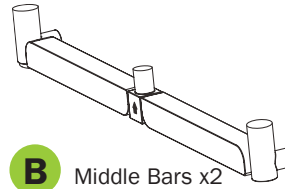
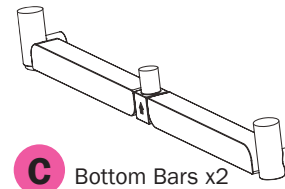
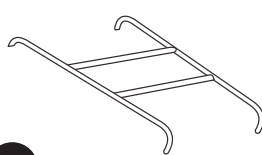
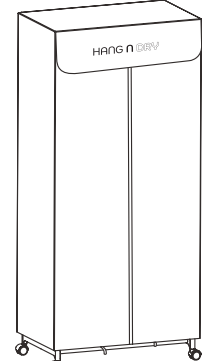
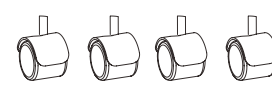
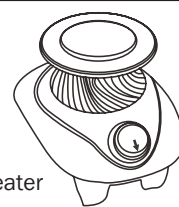
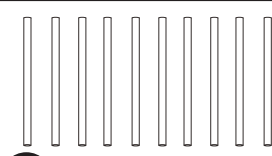


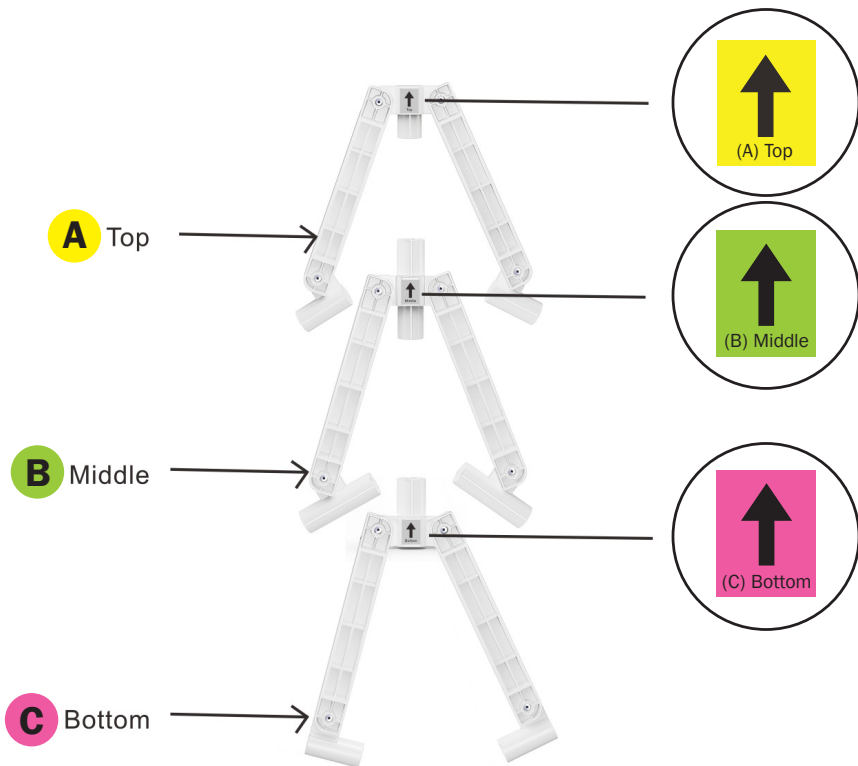
Thank you for purchasing this Hang-n-Dry Electric Clothes Dryer from DMD Collective. This electric dryer is designed to dry up to 15kg of washed laundry that has been spun dry. It is suitable for use in homes, student accommodations, caravans, motorhomes, high rise flats, balconies and more.

The dryer comprises of three main components. The first is the highly rust resistant stainless steel frame with castor wheels that can be folded away for easy storage. The second is the lightweight & waterproof 210D oxford fabric that goes over the frame to ensure that heat from the dryer stays within the enclosed environment. The fabric also features vents at the top to release moisture from your laundry. And finally, the third is the 1000W mains operated dryer unit that is 5 times cheaper to run than a standard tumble dryer.

To get the most out of this product, please read all the information in this document prior to use. Please keep this document for future reference.

# Product Elements

 <p><b>A</b> Top Bars x2</p>	 <p><b>B</b> Middle Bars x2</p>	 <p><b>C</b> Bottom Bars x2</p>
 <p><b>D</b> Steel hanger</p>	 <p><b>F</b> Fabric Cover</p>	 <p><b>G</b> Castor Wheels x4</p>
 <p><b>E</b> Heater</p>		 <p><b>H</b> Steel Poles x20</p>



---

## Health & Safety

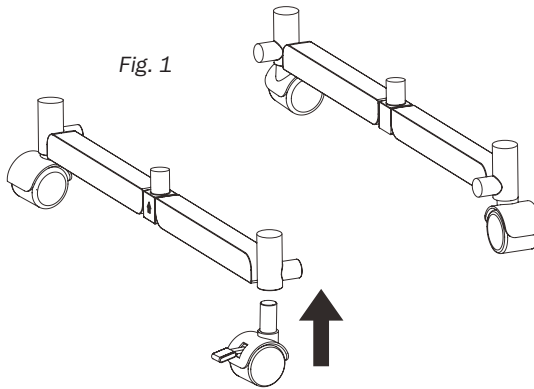
When using the clothes dryer, basic safety precautions should always be followed including the following:

- This appliance is intended for household use only. Do not use the electric dryer in any other way other than its intended use.
- Make sure the voltage mark on the electric dryer unit corresponds to the voltage in your home before plugging in the power cord.
- Keep the machine at least 2m away from any water or fire source at all times, whether the machine is in use or not.
- Only clean the electric dryer unit with a clean dry or damp cloth. Do NOT rinse or pour water over the electric dryer unit.
- The electric dryer unit can only be used continuously for no more than 6 hours at a time. After being used for 6 hours, please allow it to cool down for 30 minutes.
- Make sure the power supply socket is earthed and the pins on the plug and sockets are clean.
- When using the dryer, please make sure the clothes have been spun dried in a washing machine or spin dryer. This will reduce excess water dripping onto the electric dry and the floor and will decrease drying time as well as energy consumption.
- When the electric dryer is operating, please do NOT touch any of the stainless steel frames or the vent's outlet as these will get hot.
- This product is NOT intended for use by children or any person with reduced physical, sensory or mental capabilities and/or lack of experience and knowledge about the product. A person responsible for their safety should be with them at all times when near this product.
- This product is not a toy. Children must be supervised at all times when they are near this product, and when this product is in operation.
- All washed textiles that are put inside the dryer should be able to endure temperatures of up to 85°C degrees. Never put flammable materials into the machine.
- The fan's outlet and inlet vents must be kept clean at all times to allow good ventilation. Do not allow any materials or fabric to touch the fan's inlet or outlet.
- Do not attempt to repair the electric dryer unit unless you are a qualified professional. Always seek assistance from a competent professional.
- We do not recommend using extension cords with this product.

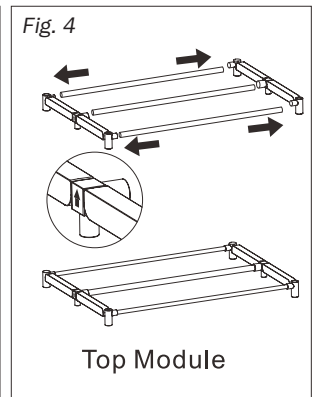
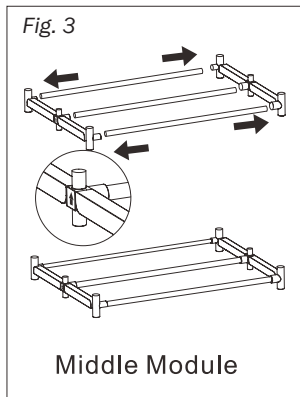
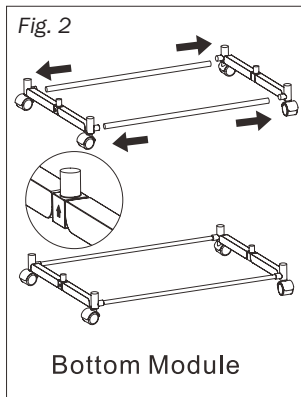
**IMPORTANT:** This appliance is intended only for drying textiles that have been washed in water and sun dry.

# Assembly Instructions

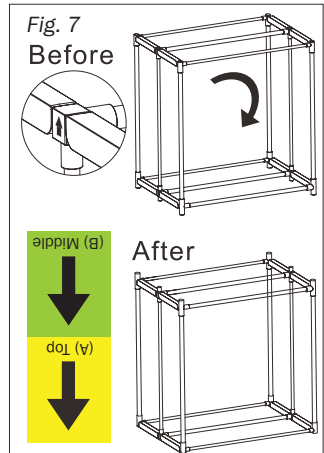
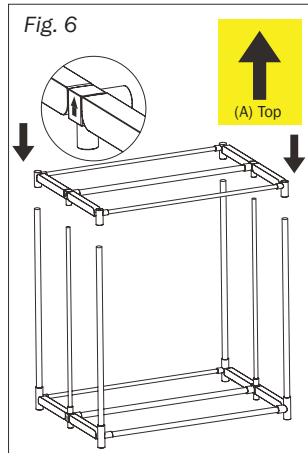
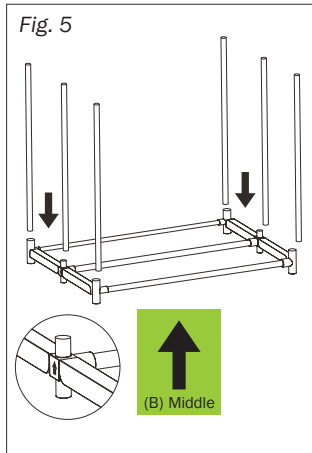
1. Get the two bottom folding plastic bars (C) and attach the castor wheels as shown in Figure 1. Please ensure the arrows on the bars are pointing upwards.



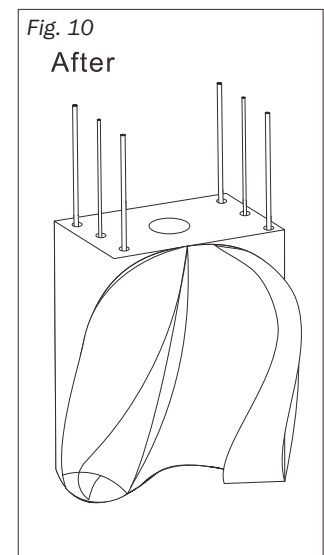
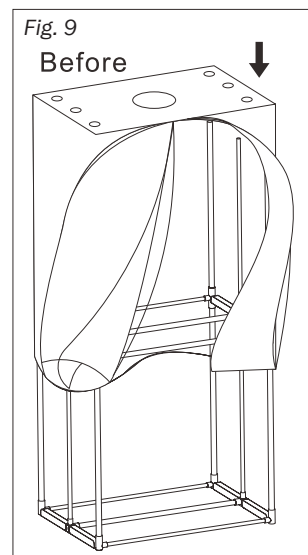
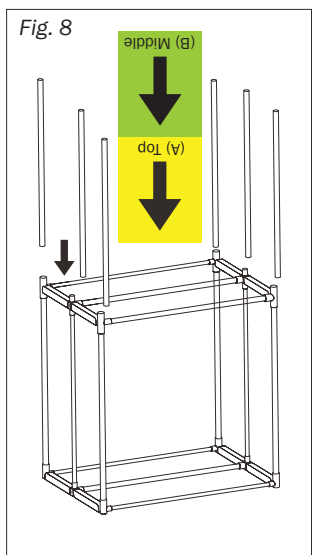
2. Get two of the stainless steel tubes and connect both the bottom folding plastic bars as shown in Figure 2. This will be known as the (C) BOTTOM module.
3. Then, get the middle folding plastic bars (B). Use three stainless steel tubes to connect them together (Figure 3). Again, ensure the arrows are pointing upwards. This is the (B) MIDDLE module.
4. Finally, repeat the above step for the top folding plastic bars (A). See Figure 4. This is the (A) TOP module.



5. Get the assembled (B) MIDDLE module. Place it on the floor with the arrows pointed upwards. Then, attach 6 stainless steel tubes as shown in Figure 5.
6. Then attach the (A) TOP module to the 6 stainless steel tubes that you have just attached to the (B) MIDDLE module (Figure 6) with the arrow facing upwards.
7. Once you have secured the (A) TOP module, turn the frame upside so that you will see the base of the (B) MIDDLE module facing upwards and the arrows are upside down as illustrated in Figure 7.



8. Attach another 6 stainless steel to the other side of the (B) MIDDLE module as shown in Figure 8.
9. Get the fabric and thread it on to the frame via the stainless steel tubes that you have just attached. Please refer to Figure 9 & 10.



**PLEASE NOTE: The pole holes are not to be confused with ventilation holes (Figs. 11 & 12).**

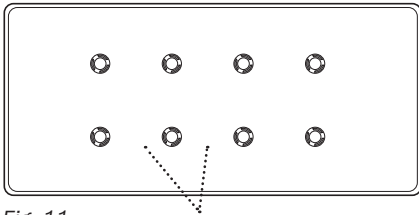


Fig. 11 Ventilation Holes

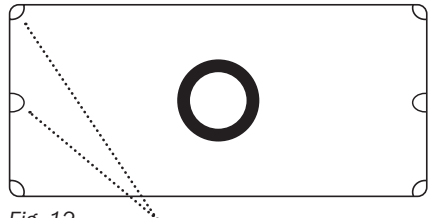


Fig. 12 Pole Holes

10. Then attach the (C) BOTTOM module to the stainless steel tubes (Fig. 13) arrow facing down.
11. Once you have attached the (C) BOTTOM module, turn the frame back upright so that the wheels are on the floor (see Figure 14).
12. Then secure the fabric over the top of the frame using the zips, then place the steel hanger at the bottom of the frame as shown in Figure 15.

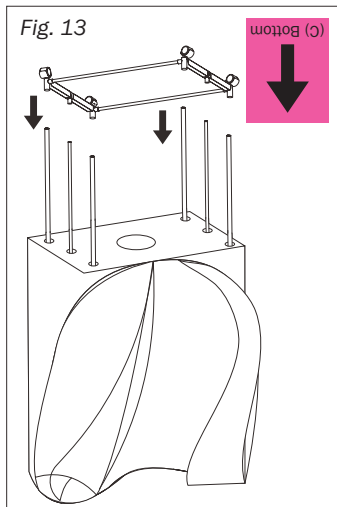


Fig. 13

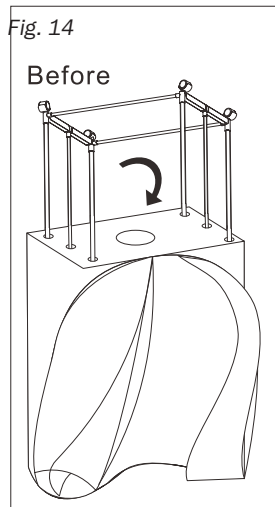


Fig. 14

Before

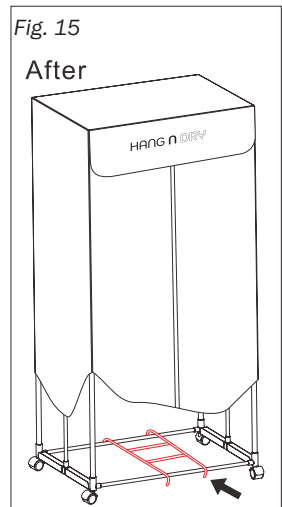


Fig. 15

After

13. Position the electric dryer on the steel hanger (see Figure 16).
14. Thread the top of the heater through the hole of the fabric (see Figure 17).
15. Adjust the bottom of the fabric cover so that it covers the whole frame, as shown in Figure 18.

Fig. 16

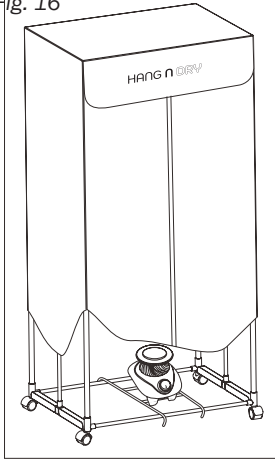


Fig. 17

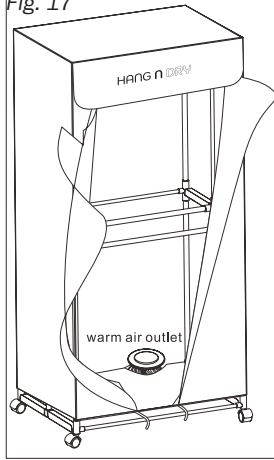
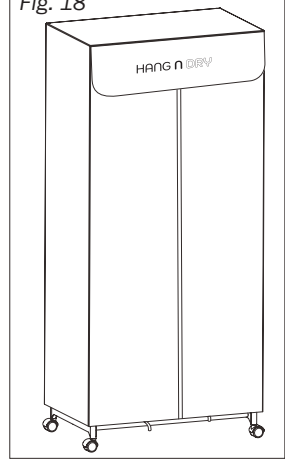
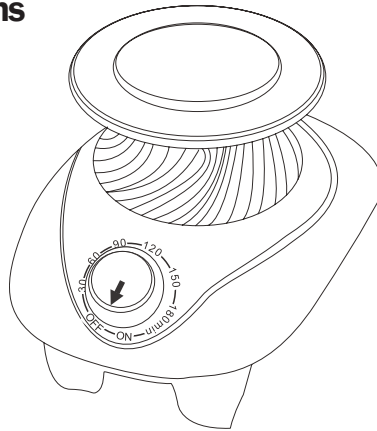


Fig. 18



## Operating Instructions



1. First, ensure you have positioned the frame near a mains socket plug.
2. Connect the electric dryer unit to the mains power socket and switch on.
3. Turn on the unit by switching the dial to either the ON position or to one of the preset timer settings.

**IMPORTANT:** When selecting the ON position, we advise that you turn off the drying after using the unit continuously for 6 hours and allow for 30 minutes for the unit to cool down before using again.

**WARNING:** DO NOT touch either the fan's outlet or the stainless steel tubes when this product is in use as they will get hot. There is risk of getting burnt.

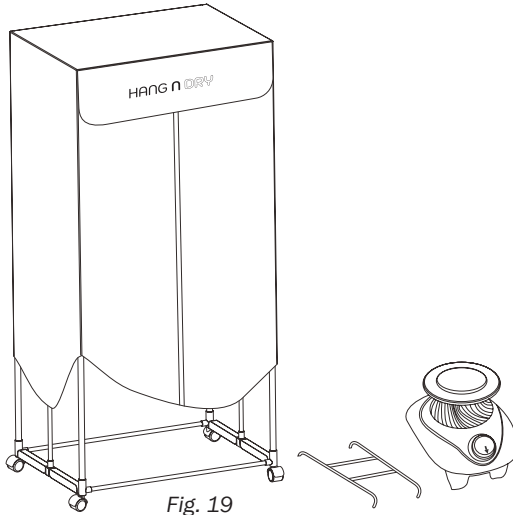
4. After you have finished drying your clothes, allow 10 to 15 minutes for the electric dryer and the stainless steel tubes to cool down.



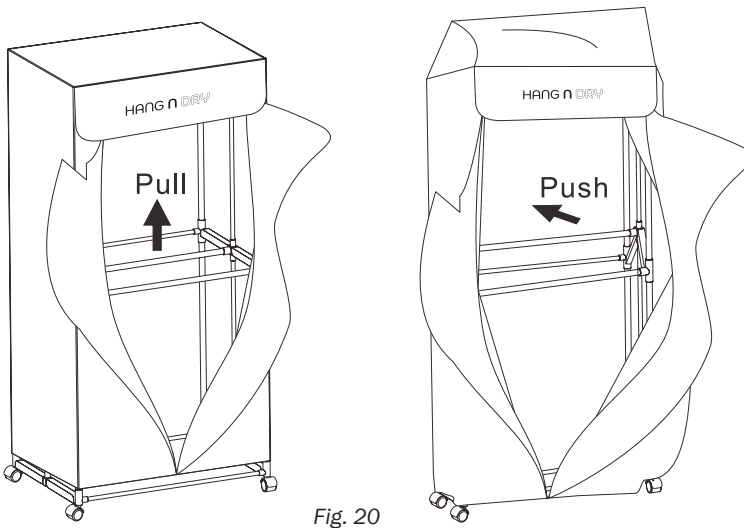
## Folding The Frame After Use

To fold the frame after use, please ensure the frame and electric dryer unit has fully cooled down. Once cooled down, please follow the instructions below:

1. Pull up the bottom of the fabric to remove the electric dryer unit and steel hanger (Figure 19).



2. Then open up the zips of the fabric cover and then pull up the central tube of the MIDDLE module and then push the frame inwards as shown in Figure 20.



---

## Troubleshooting

Troubleshoot	Potential Reason
Electric dryer unit not working	<ol style="list-style-type: none"><li data-bbox="468 276 989 333">1. Please ensure proper connectivity to mains socket.</li><li data-bbox="468 338 644 363">2. Blown fuse.</li><li data-bbox="468 368 671 394">3. Power outage.</li></ol>
Clothes take a long time to dry (more than 180 minutes)	<ol style="list-style-type: none"><li data-bbox="468 428 930 454">1. The clothes in the dryer are too thick.</li><li data-bbox="468 459 1030 515">2. Clothes have not been spun dry or wrung dried enough.</li><li data-bbox="468 520 1018 577">3. The outer fabric cover may not be on properly, leading to hot air escaping.</li></ol>
Electric dryer suddenly stopped working	<ol style="list-style-type: none"><li data-bbox="468 608 1026 696">1. Fan's vent outlet or inlet has been blocked by clothing or another object. Please ensure both the outlet and inlet is clear.</li><li data-bbox="468 701 1038 727">2. The electric dryer may set to the timer function.</li></ol>
Abnormal noise	<ol style="list-style-type: none"><li data-bbox="468 761 812 787">1. Fan's inlet may be blocked.</li></ol>

---


## Technical Specifications

<b>Product name</b>	Hang-n-Dry Electric Clothes Dryer
<b>Supplier code</b>	DMDED1
<b>Sound Decibel Rating</b>	57dB
<b>Material (Factory Only)</b>	<ul style="list-style-type: none"><li>• Heater (1pc)</li><li>• Clothes cover (1pc)</li><li>• Stainless steel tube (20pcs)</li><li>• Folding Plastic Bar (6pcs)</li><li>• Castor (4pcs)</li><li>• Steel Hanger (1pc)</li><li>• Instruction manual (1pc)</li></ul>
<b>Temperature Rating</b>	70 °C
<b>Energy Efficiency (A-G Rating)</b>	NO
<b>Total Wattage</b>	1000W
<b>Wattage per hour</b>	1kWh
<b>Accept Voltage Frequency</b>	220-240V, 50-60Hz
<b>IP Rating (If Applicable)</b>	IPX1
<b>Max Weight Capacity</b>	15kgs
<b>Item Depth (Front-Back)</b>	71.5cm (28.15in)
<b>Item Height (Base-Top)</b>	140cm (55.12in)
<b>Item Width (Side-Side)</b>	46.5cm (18.31in)

## Technical Support

If you require any technical support for your product, please contact us on: [support@dmdcollective.co.uk](mailto:support@dmdcollective.co.uk) and provide the product name and supplier code (see Technical Specifications) along with the technical query and proof of purchase.



The WEEE symbol  on this product means that this product should be ethically dismantled or recycled to minimise environmental impact. Please check with your local authority for more information.

## Important: Additional Safety Information

This device is **NOT** intended for use by persons (including children) with reduced physical, sensory or mental capabilities or lack of experience and knowledge, unless they are supervised or have been given instruction concerning use of the device by a person responsible for their safety.



### For Product Support:

**E:** [support@dmdcollective.co.uk](mailto:support@dmdcollective.co.uk)

**T:** +44 (0)161 543 6400

---

[www.dmdcollective.co.uk](http://www.dmdcollective.co.uk)

---

**UK Registered Address:** Ace Supply Co Ltd, Suite GA,  
Marsland House, Marsland Road, Sale M33 3AQ

**EU Registered Address:** Ace Supply Co (Europe) Ltd.  
25 Herbert Place, Dublin 2, D02 A098, Republic of Ireland