

---

# Double Laundry Basket with Tabletop

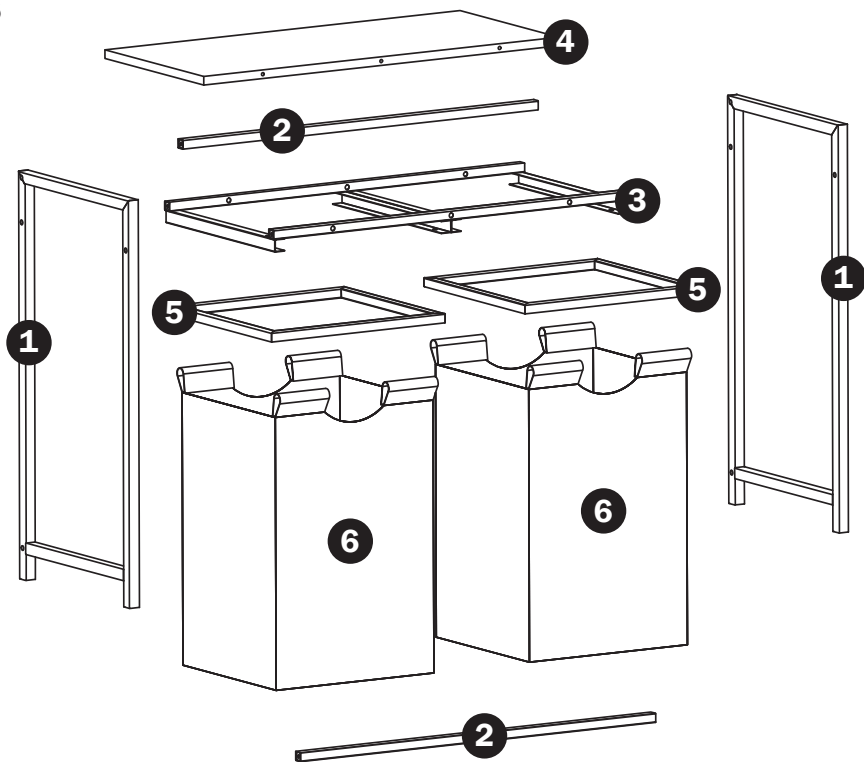
---

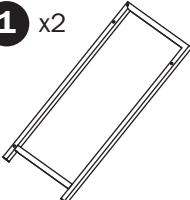
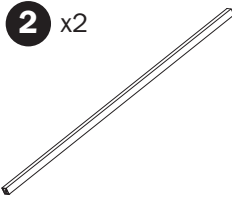
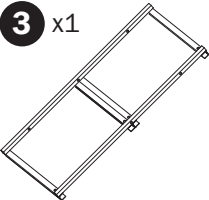
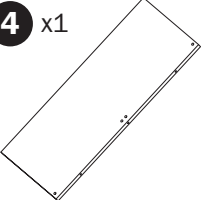
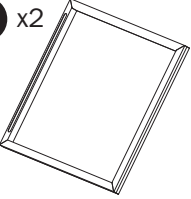
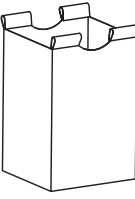
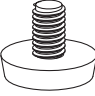
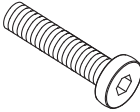
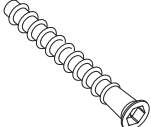
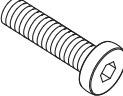
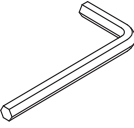
## Information for use



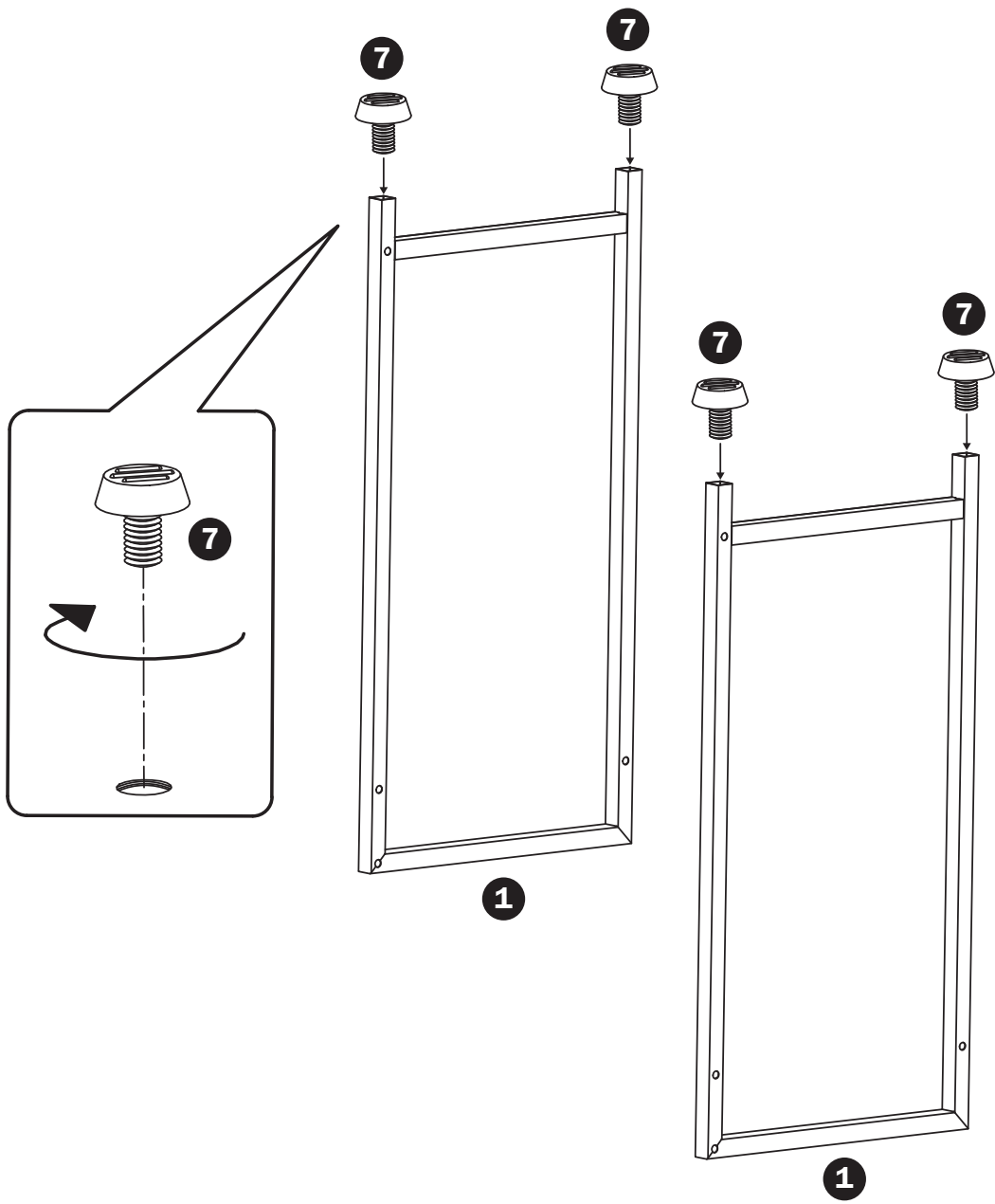
Thank you for purchasing this Double Laundry Basket with Tabletop from DMD Collective. Please read through ALL the information in this document and keep it for future reference.

# Parts



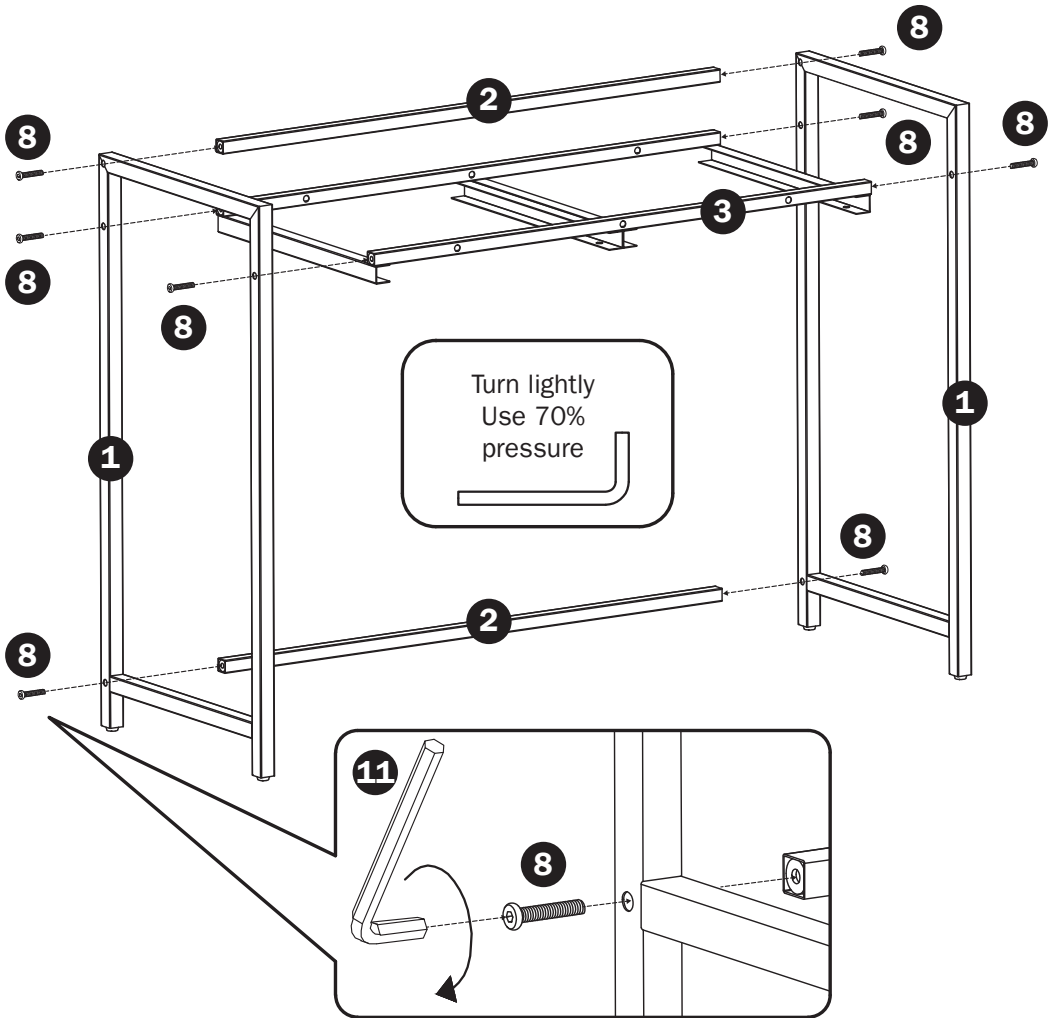
<p><b>1</b> x2</p> 	<p><b>2</b> x2</p> 	<p><b>3</b> x1</p> 	<p><b>4</b> x1</p> 
<p><b>5</b> x2</p> 	<p><b>6</b> x2</p> 	<p><b>7</b> x4</p> 	<p><b>8</b> x8</p>  <p>35mm</p>
<p><b>9</b> x6</p>  <p>48mm</p>	<p><b>10</b> x2</p>  <p>30mm</p>	<p><b>11</b> x1</p> 	

# Stage 1



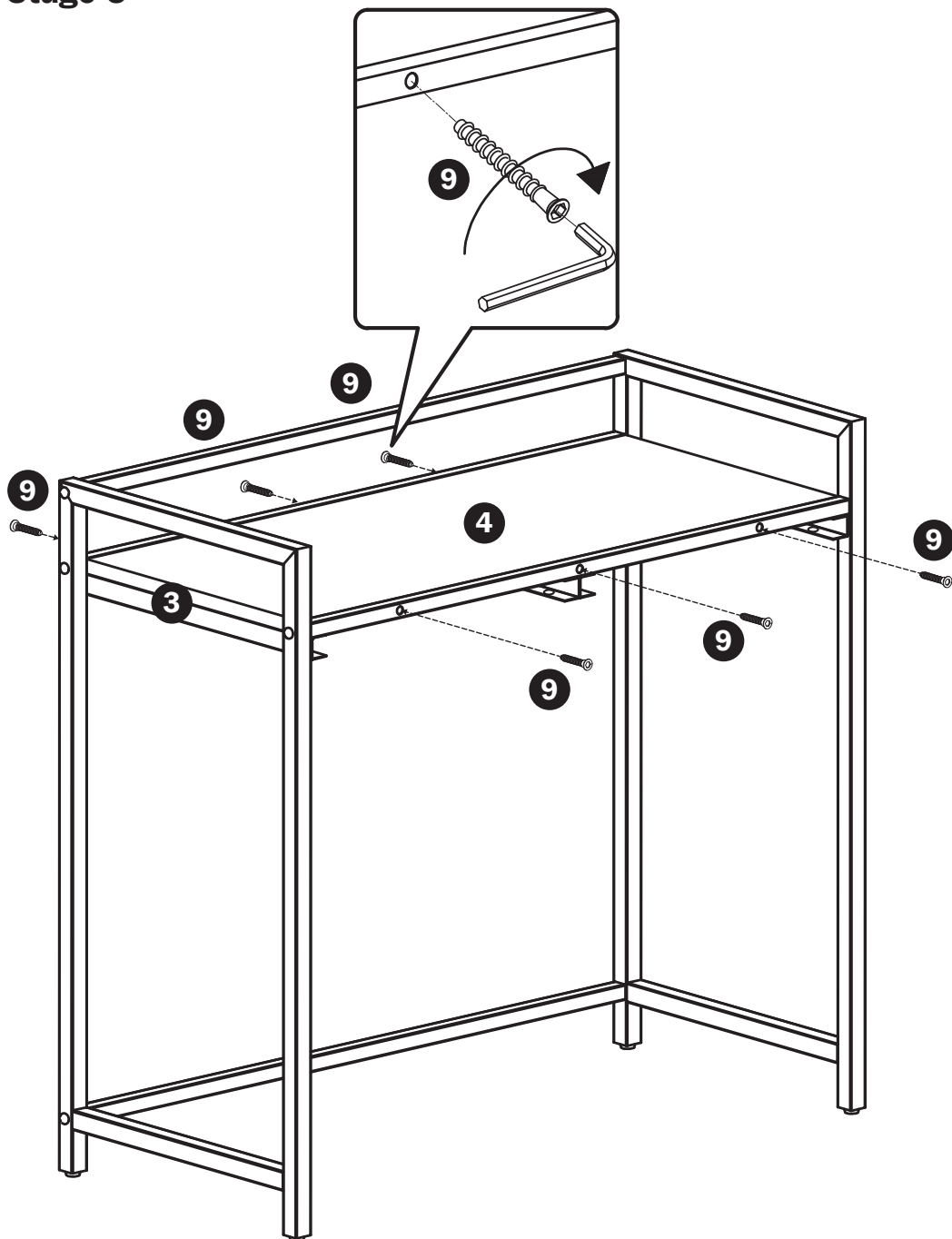
1. Locate either side of the laundry basket. (Part 1)
2. Screw the 4 feet (Part 7) into the bottom of the basket.

## Stage 2



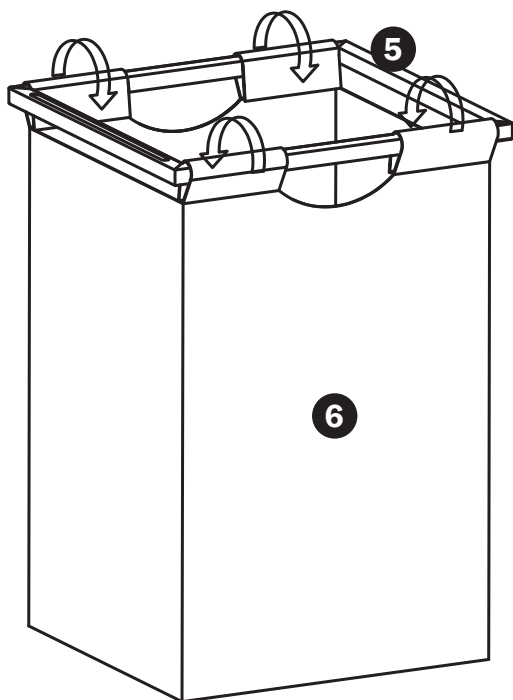
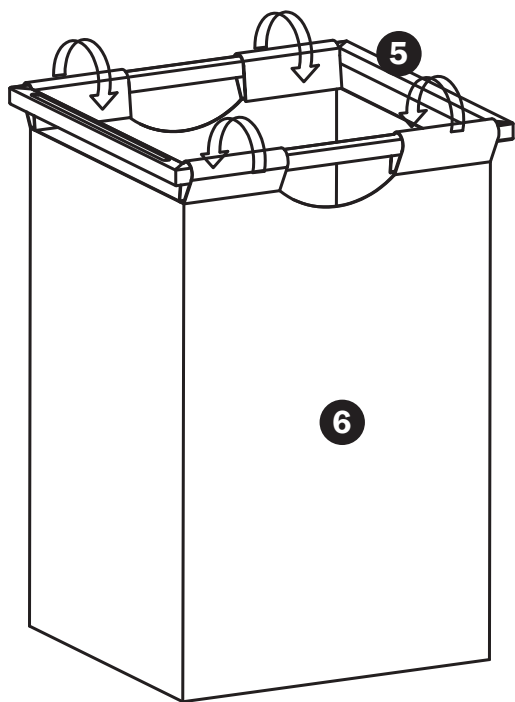
1. Attach the two sides of the laundry basket (Part 1) to the top frame and the two poles (Part 2 and 3). Use the Allen key included (Part 11) and 8x 35mm screws (Part 8), apply light pressure, and do not tighten fully.

## Stage 3



1. Attach the top panel (Part 4) to the top frame (Part 3). Use the Allen key included (Part 11) and 6x 48 mm screws (Part 9). Apply light pressure to the screws but do not tighten them completely.

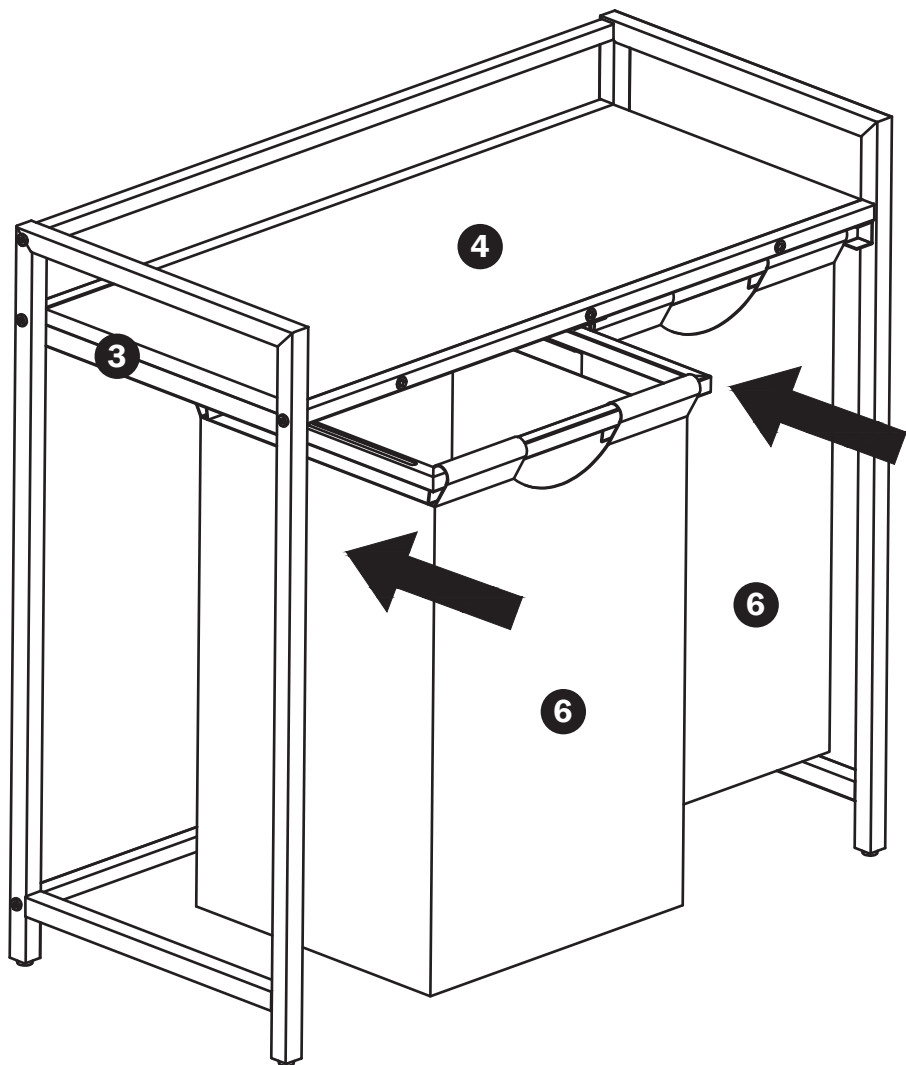
## Stage 4



1. Attach the two fabric bags (Part 6) to the two bag frames (Part 5) by folding over the fabric straps and securing.

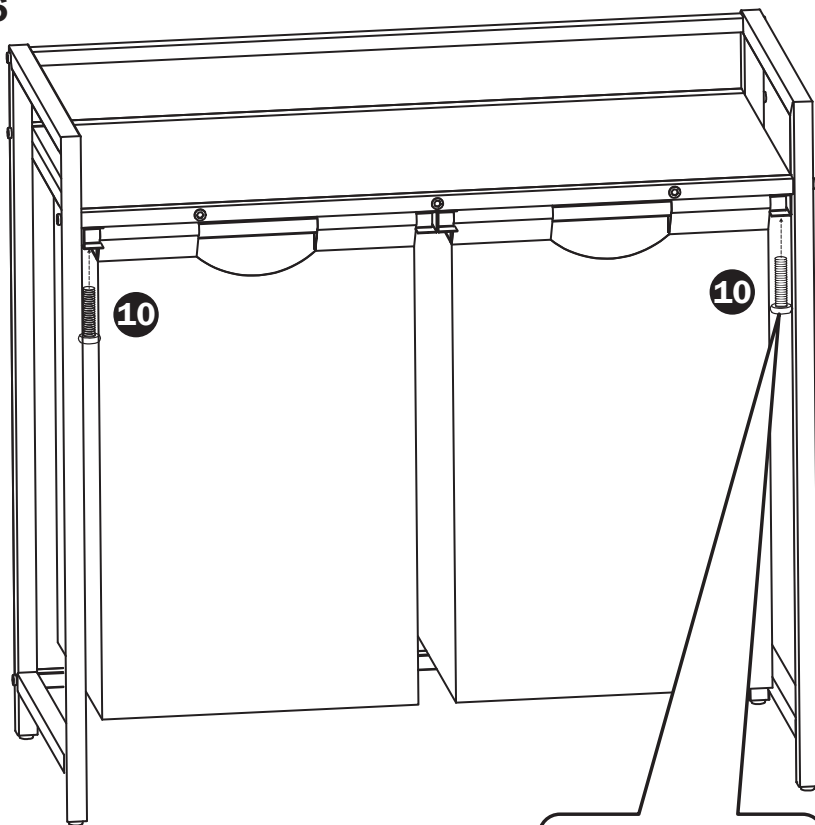
**Please Note:** The laundry bags are machine washable.

## Stage 5



1. Slot the fabric laundry bags (Part 6) into the main frame (Part 3).

## Stage 6



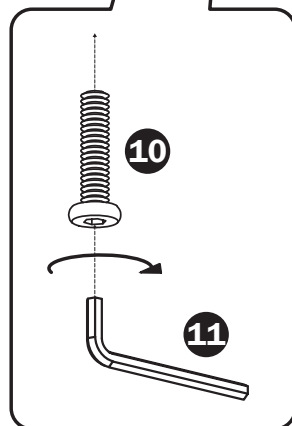
1. You can now tighten all the screws fully.

2. Secure the frame with 2x30mm screws (Part 10).

These fit upwards in the frame holes.

### Technical Specifications

<b>Product Name:</b>	DMD Double Laundry Basket with Tabletop
<b>Supplier Code:</b>	DMD145
<b>Capacity:</b>	95L
<b>Material:</b>	Steel tube, Oxford fabric & particle board



**Ace Supply Co Ltd.,**  
Suite GA, Marsland House,  
Marsland Road, Sale M33 3AQ

**For Product Support:**  
E: support@dmdcollective.co.uk  
T: +44 (0)161 543 6400

**EU Regd. Address:**  
Ace Supply Co (Europe) Ltd.,  
Dublin 2, D02 A098, ROI